

### ADVANTAGES

- Different mounting bases available.
- Reduced dimensions for tight access areas.
- For special composites → mounting base with vacuum.

### PRECISION MANUFACTURING

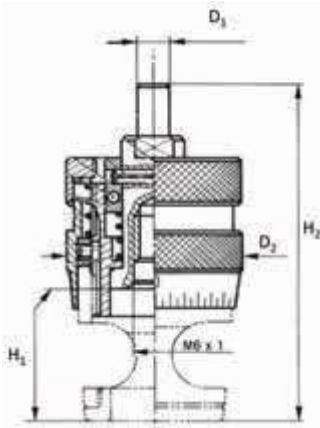
- Cemented, hardened, and ground chrome-nickel steel spindle mounted on a self-lubricating bronze body and a thrust bearing.
- Centering cone of the cutter (120°) for perfect concentricity.
- Microstop depth adjustment (1 scale division = 0.001 in).
- Microstop depth setting is held securely in place by locknut with seal. This patented feature allows an easy loosening of the locknut without damage to the drill cage.



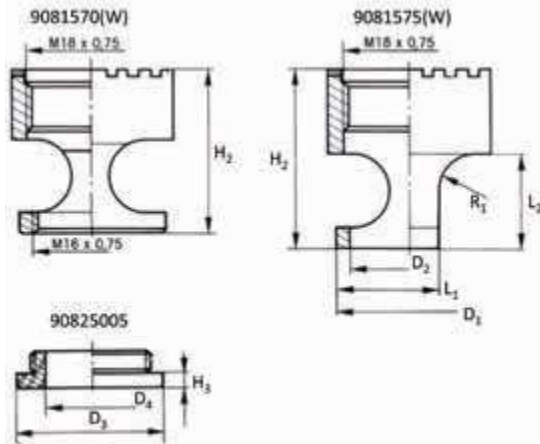
Basic Drill Cage



(Pictures are for illustration purposes only)



Dimensions for large and small window



MICROSTOP CAGE									
RB 156	T	D1	D2	H1		H2		Stroke	
				Min	Max	Min	Max		
	M6 x 1	mm	4.8	25	20	24	51	55	3.5
	in	0.19	0.98	0.79	0.94	2.01	2.17	0.14	

MOUNTING BASE								
		D1	D2	L1	L2	H2	R1	D6
90815170(W)	mm	NA	NA	NA	NA	22	NA	NA
	in	NA	NA	NA	NA	0.87	NA	NA
9081575(W)	mm	20	16	14	13	24	13	NA
	in	0.79	0.63	0.55	0.51	0.94	0.51	NA

NOSE PIECE				
		D3	D4	H3
90825005	mm	20	12.5	2
	in	0.79	0.49	0.08

RB 156		MICROSTOP CAGE ASSEMBLY CODE			
		10000010	10000010W	10000100	10000100W
Basic Drill Cage		●	●	●	●
Tapped Mounting Base	90815170	●			
Tapped Mounting Base Large Window	90815170W		●		
Offset Mounting Base	90815175			●	
Offset Mounting Base Large Window	90815175W				●
Nylon Nose Piece	90825005	●	●		