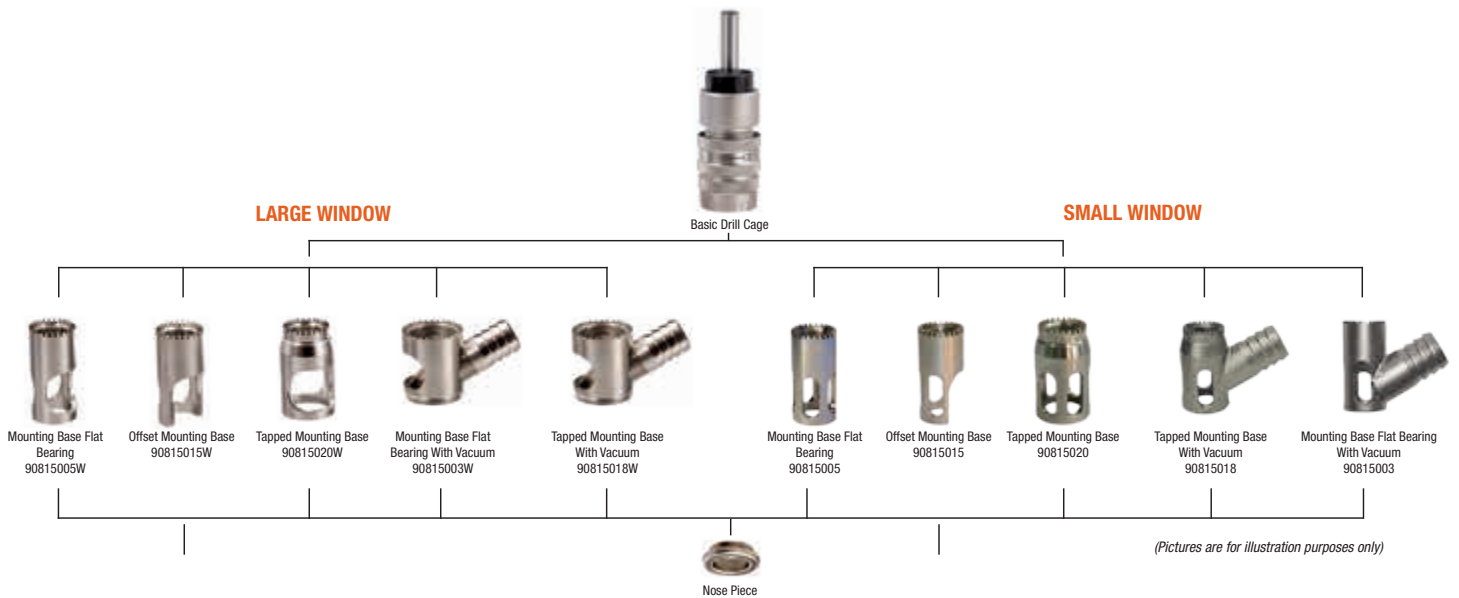


ADVANTAGES

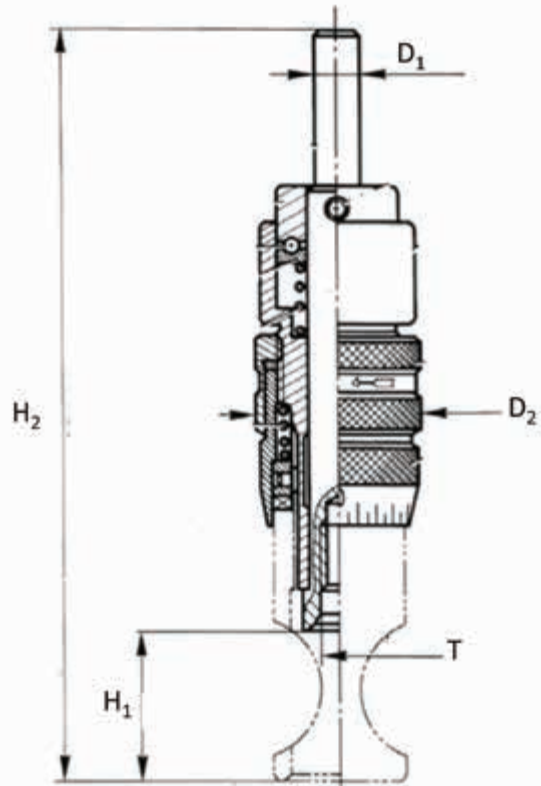
- Different mounting bases available.
- Reduced dimensions for tight access areas.
- For special composites → mounting base with vacuum.

PRECISION MANUFACTURING

- Cemented, hardened, and ground chrome-nickel steel spindle mounted on a self-lubricating bronze body and thrust bearing.
- Centering cone of the cutter (120°) for perfect concentricity.
- Microstop depth adjustment (1 scale division = 0.001 in).
- Microstop depth setting is held securely in place by locknut with seal. This patented feature allows an easy loosening of the locknut without damage to the drill cage.

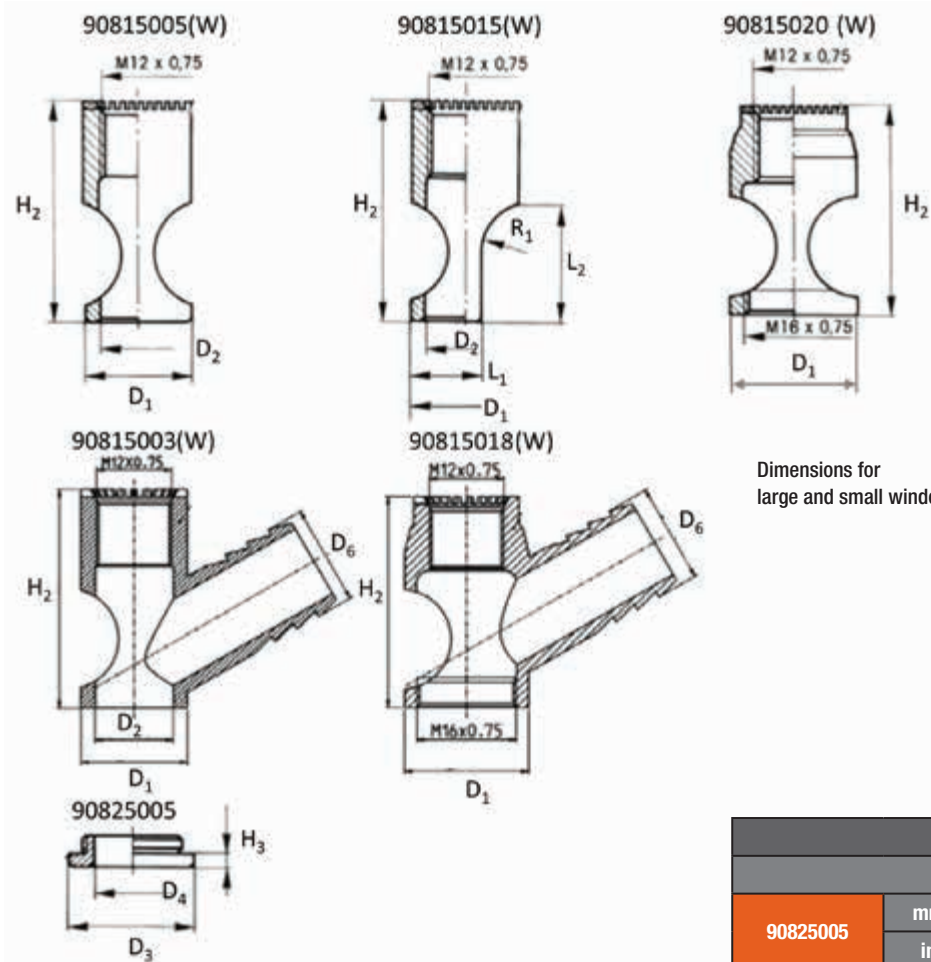


RB 206		MICROSTOP CAGE ASSEMBLY CODE									
		10005000W	10005000	10005200W	10005200	10005305W	10005305	10005001W	10005001	10005306W	10005306
RBI 206		10005050W	10005050	10005250W	10005250	10005355W	10005355	10005051W	10005051	10005356W	10005356
Basic Drill Cage		•	•	•	•	•	•	•	•	•	•
Mounting Base Flat Bearing Large Window	90815005W	•									
Mounting Base Flat Bearing	90815005		•								
Offset Mounting Base Large Window	90815015W			•							
Offset Mounting Base	90815015				•						
Tapped Mounting Base Large Window	90815020W					•					
Tapped Mounting Base	90815020						•				
Mounting Base Flat Bearing Large Window w/ Vacuum	90815003W							•			
Mounting Base Flat Bearing With Vacuum	90815003								•		
Tapped Mounting Base Large Window w/ Vacuum	90815018W									•	
Tapped Mounting Base w/ Vacuum	90815018										•
Nylon Nose Piece	90825005					•	•			•	•



MICROSTOP CAGE									
				H1		H2		Stroke	
	T		D1	D2	Min	Max	Min		Max
RB 206	M6 x 1	mm	6	21	19	25	95	101	6
RBI 206	1/4 in - 28	in	0.24	0.83	0.75	0.98	3.74	3.98	0.24

MOUNTING BASE								
		D1	D2	L1	L2	H2	R1	D6
90815005(W)	mm	17	12.5	NA	NA	35	NA	NA
	in	0.67	0.49	NA	NA	1.38	NA	NA
90815015(W)	mm	17	12.5	11	19	35	8	NA
	in	0.67	0.49	0.43	0.75	1.38	0.31	NA
90815020(W)	mm	20	NA	NA	NA	33	NA	NA
	in	0.79	NA	NA	NA	1.30	NA	NA
90815003(W)	mm	17	12.5	NA	NA	35	NA	16
	in	0.67	0.49	NA	NA	1.38	NA	0.63
90815018(W)	mm	20	NA	NA	NA	34	NA	16
	in	0.79	NA	NA	NA	1.34	NA	0.63



Dimensions for large and small window

NOSE PIECE				
		D3	D4	H3
90825005	mm	20	12.5	2
	in	0.79	0.49	0.08