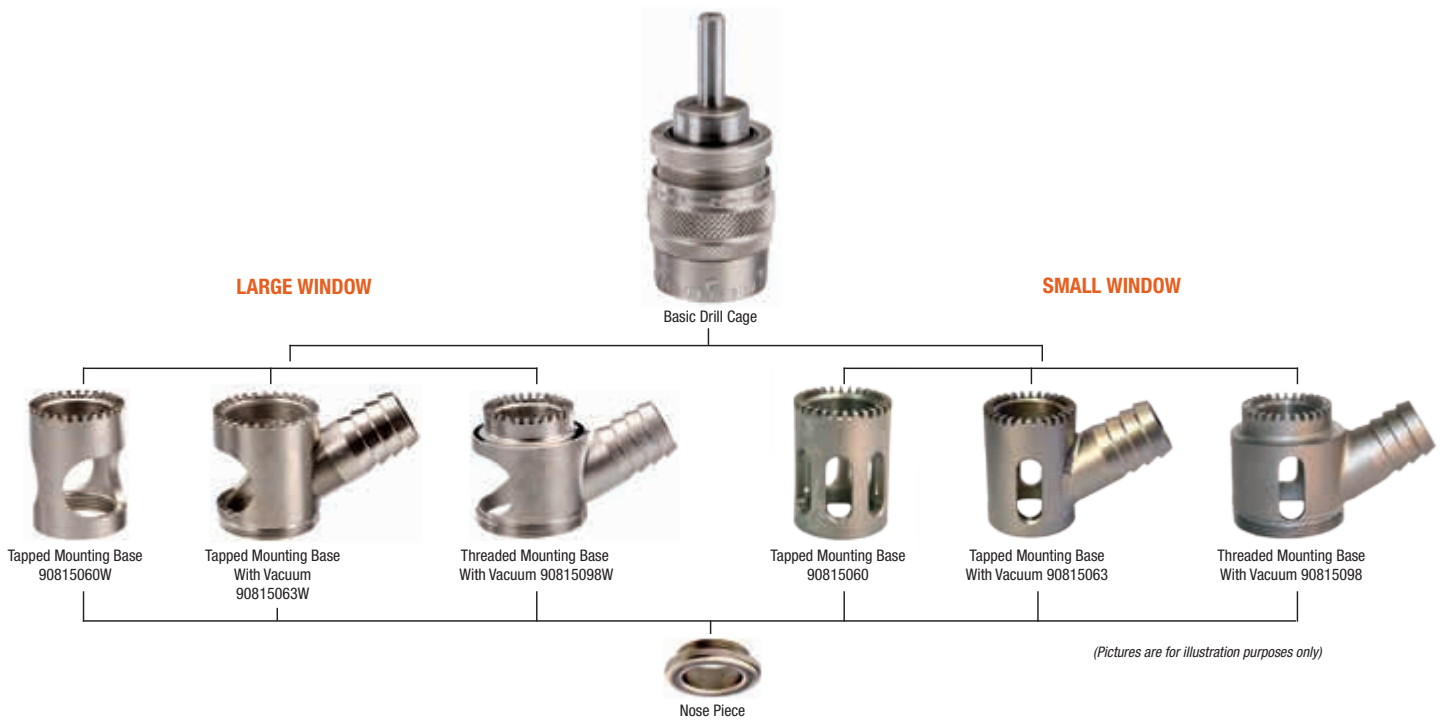


## ADVANTAGES

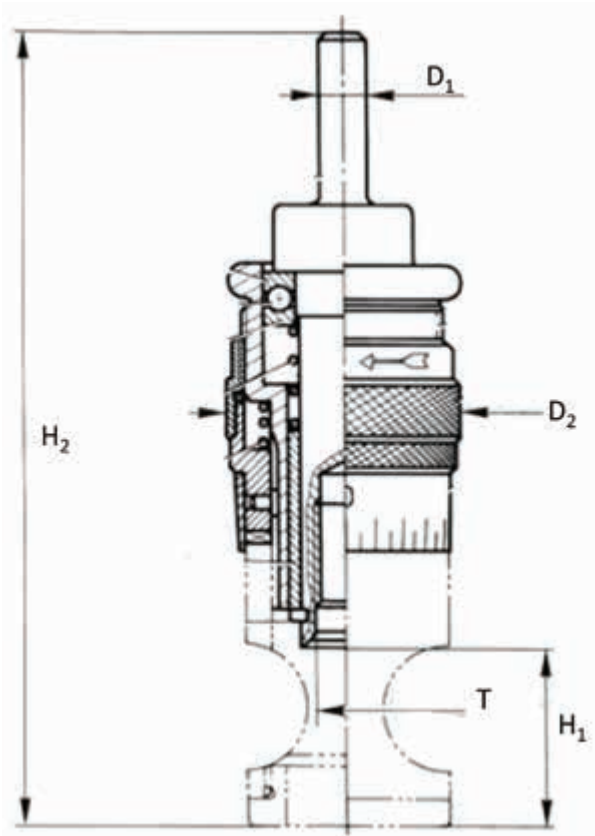
- Different mounting bases available
- Reduced dimensions for tight access areas
- For special composites → mounting base with vacuum.

## PRECISION MANUFACTURING

- Cemented, hardened, and ground chrome-nickel steel spindle mounted on a self-lubricating bronze body and a thrust bearing.
  - Centering cone of the cutter (120°) for perfect concentricity.
  - Microstop depth adjustment (1 scale division = 0.001 in).
  - Microstop depth setting is held securely in place by locknut with seal.
- This patented feature allows an easy loosening of the locknut without damage to the drill cage.



RB 256		MICROSTOP CAGE ASSEMBLY CODE									
		10010010W	10010010	10010015W	10010015	10010001W	10010001	10010016W	10010016	10010205W	10010205
RBI 256		10010110W	10010110	10010115W	10010115	10010111W	10010111	10010116W	10010116		
Basic Drill Cage		•	•	•	•	•	•	•	•	•	•
Tapped Mounting Base Large Window	90815060W	•		•							
Tapped Mounting Base	90815060		•		•						
Tapped Mounting Base Large Window w/ Vacuum	90815063W					•		•			
Tapped Mounting Base w/ Vacuum	90815063						•		•		
Threaded Mounting Base Large Window w/ Vacuum	90815098W									•	
Threaded Mounting Base w/ Vacuum	90815098										•
Hard Chrome Steel Nose	90825015	•	•			•	•				
Nylon Nose Piece	90825020			•	•			•	•		
Nylon Nose Piece	90825085									•	•



MICROSTOP CAGE									
	T		D1	D2	H1		H2		Stroke
					Min	Max	Min	Max	
RB 256	M6 x 1	mm	6	28	19	26	91	98	7.5
RBI 256	1/4 in - 28	in	0.24	1.10	0.75	1.02	3.58	3.86	0.30

MOUNTING BASE								
		D1	D2	L1	L2	H2	R1	D6
		90815060(W)	mm	NA	NA	NA	NA	32
	in	NA	NA	NA	NA	1.26	NA	NA
90815063(W)	mm	24	NA	NA	NA	32	NA	16
	in	0.94	NA	NA	NA	1.26	NA	0.63
90815098(W)	mm	NA	26	NA	NA	32	NA	16
	in	NA	1.02	NA	NA	1.26	NA	0.63

NOSE PIECE				
		D3	D4	H3
		90825015	mm	24
	in	0.94	0.59	0.12
90825020	mm	24	15	3
	in	0.94	0.59	0.12
90825085	mm	36	26	3
	in	1.42	1.02	0.12

Dimensions for large and small window

