

### ADVANTAGES

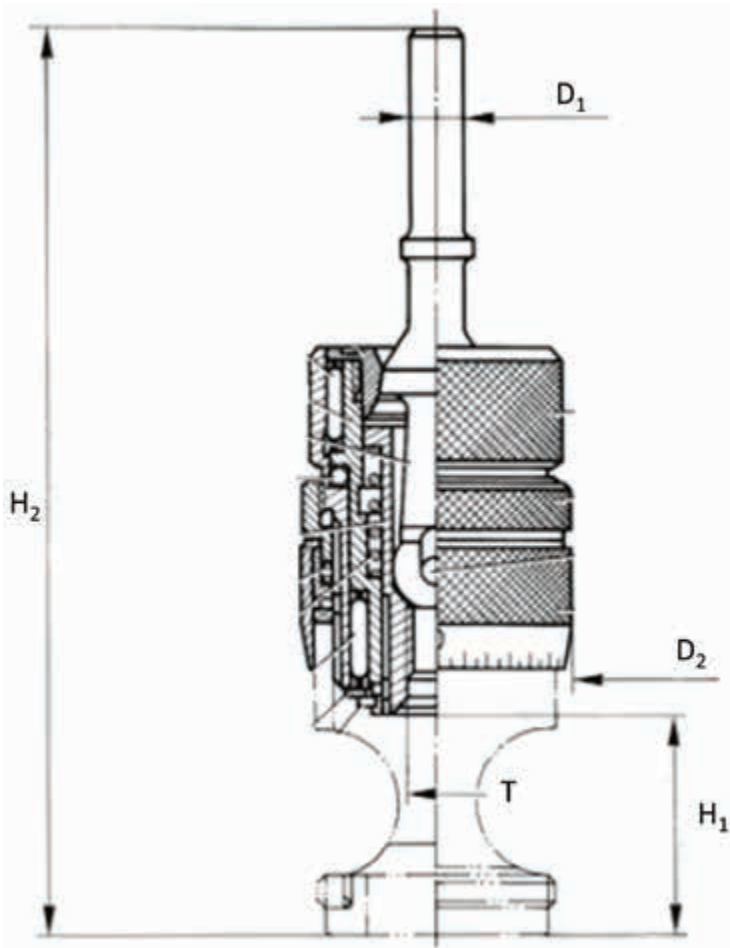
- Different mounting bases available.
- Reduced dimensions for tight access areas.
- For special composites → mounting base with vacuum.

### PRECISION MANUFACTURING

- High precision microstop cage, body in heat-treated chrome steel, fully ground throughout. This ball-mounted microstop cage includes two needle bearings for best utilization.
- When using the RB 257, any misalignment of the microstop cage is corrected by the unique ball-pivoting spindle. This assembly ensures perpendicularity throughout the operation at all time.
- Centering cone of the cutter (120°) for perfect concentricity.
- Microstop depth adjustment (1 scale division = 0.001 in).
- Microstop depth setting is held securely in place by locknut with seal. This patented feature allows an easy loosening of the locknut without damage to the drill cage.



RB 257		MICROSTOP CAGE ASSEMBLY CODE													
		10015010W	10015010	10015015W	10015015	RC-10015020W	RC-10015020	10015200W	10015200	10015001W	10015001	10015016W	10015016	10015021W	10015021
Basic Drill Cage		●	●	●	●	●	●	●	●	●	●	●	●	●	●
Threaded + tapped base Large Window	90815075W	●		●		●									
Threaded + tapped base	90815075		●		●		●								
Threaded Mounting Base Large Window w/ Vacuum	90815078W									●		●		●	
Threaded Mounting Base Large Window w/ Vacuum	90815078										●		●		●
Offset Mounting Base Large Window + 3 nylon pins	90815084W							●							
Offset Mounting Base + 3 nylon pins	90815084								●						
Hard Chrome Steel Nose	90825015			●	●							●	●		
Nylon Nose Piece	90825020					●	●							●	●
Celeron Rotary Nose	90825210	●	●							●	●				



MICROSTOP CAGE									
				H1		H2		Stroke	
	T	D1	D2	Min	Max	Min	Max		
RB 257	M6 x 1	mm	6	29	19	24	88	92	6
		in	0.24	1.14	0.75	0.94	3.46	3.62	0.24

MOUNTING BASE								
		D1	D2	L1	L2	H2	R1	D6
90815075(W)	mm	NA	NA	NA	NA	31	NA	NA
	in	NA	NA	NA	NA	1.22	NA	NA
90815084(W)	mm	27	18	17.5	21	32	8	NA
	in	1.06	0.71	0.69	0.83	1.26	0.31	NA
90815078(W)	mm	NA	NA	NA	NA	31	NA	16
	in	NA	NA	NA	NA	1.22	NA	0.63

NOSE PIECE					
		D3	D4	H3	D7
90825210	mm	29	17	3	21.5
	in	1.14	0.67	0.12	0.85
90825015	mm	24	15	3	NA
90825010	in	0.94	0.59	0.12	NA
93045015	mm	5	NA	2	NA
	in	0.20	NA	0.08	NA

