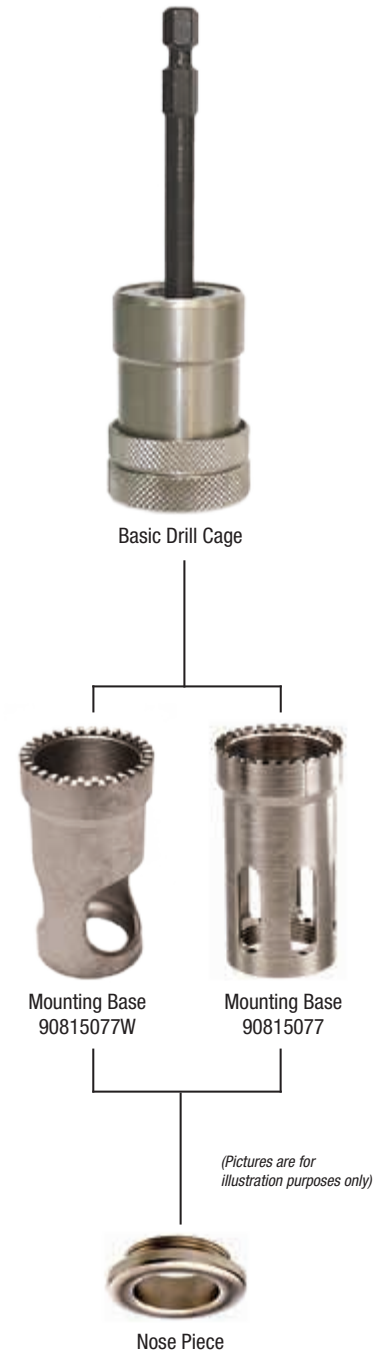


ADVANTAGES

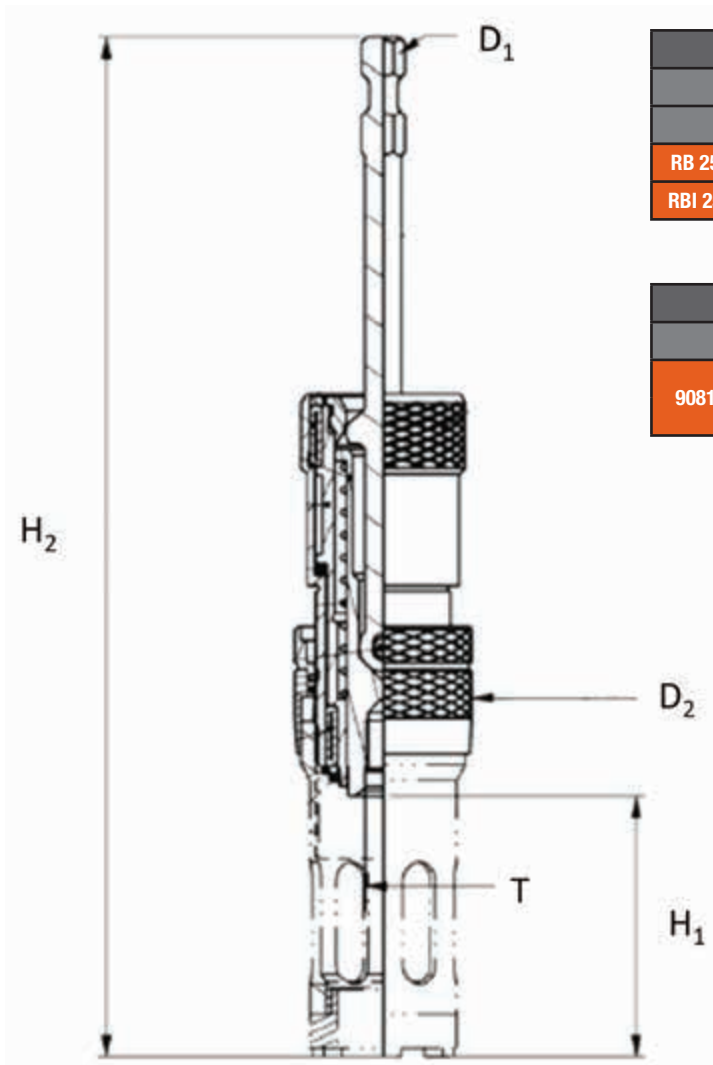
- Different mounting bases available.
- Reduced dimensions for tight access areas.
- High precision microstop cage, body in heat-treated chrome steel, fully ground throughout. This ball-mounted microstop cage includes two needle bearings for best utilization.

PRECISION MANUFACTURING

- When using the RB 258, any misalignment of the microstop cage is corrected by the unique ball-pivoting spindle. This assembly ensures perpendicularity throughout the operation at all time.
- Centering cone of the cutter (120°) for perfect concentricity.
- Microstop depth adjustment (1 scale division = 0.001 in).
- Microstop depth setting is held securely in place by locknut with seal. This patented feature allows an easy loosening of the locknut without damage to the drill cage.

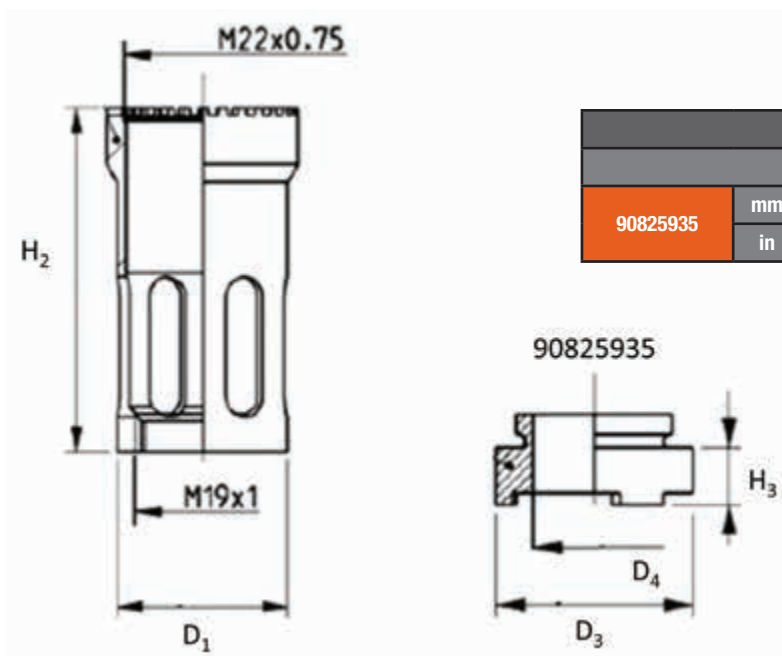


RB 258		MICROSTOP CAGE ASSEMBLY CODE	
		10015500PT	10015500W
RBI 258		10015550	10015550W
Basic Drill Cage		●	●
Mounting Base Large Window	90815077 W		●
Mounting Base	90815077	●	
Nose Piece	90825035	●	●



MICROSTOP CAGE									
	T		D1	D2	H1		H2		Stroke
					Min	Max	Min	Max	
RB 258	M6 x 1	mm	6.35	29	41	56	141	156	27
RBI 258	1/4 in - 28	in	0.25	1.14	1.61	2.20	5.55	6.14	1.06

MOUNTING BASE								
		D1	D2	L1	L2	H2	R1	D6
		90815077(W)	mm	24	NA	NA	NA	49
	in	0.94	NA	NA	NA	1.93	NA	NA



NOSE PIECE					
		D3	D4	H3	D7
		90825935	mm	24	15
	in	0.94	0.59	0.28	NA