

ADVANTAGES

- Different mounting bases available.
- This cage has been designed for use with cutters greater than 0.394 in dia.
- For special composites → mounting base with vacuum.

PRECISION MANUFACTURING

- Cemented, hardened, and ground chrome-nickel steel spindle mounted on a self-lubricating bronze body and a thrust bearing.
- Centering cone of the cutter (120°) for perfect concentricity.
- Microstop depth adjustment (1 scale division = 0.001 in).
- Microstop depth setting is held securely in place by locknut with seal. This patented feature allows an easy loosening of the locknut without damage to the drill cage.



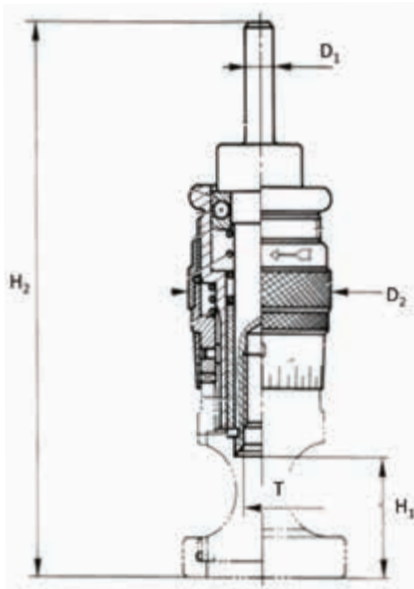
Basic Drill Cage



Nose Piece

(Pictures are for illustration purposes only)

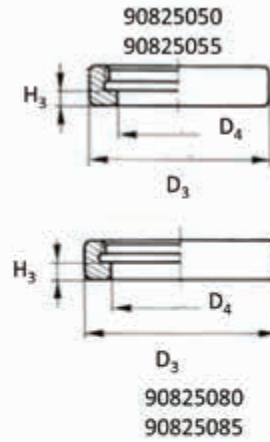
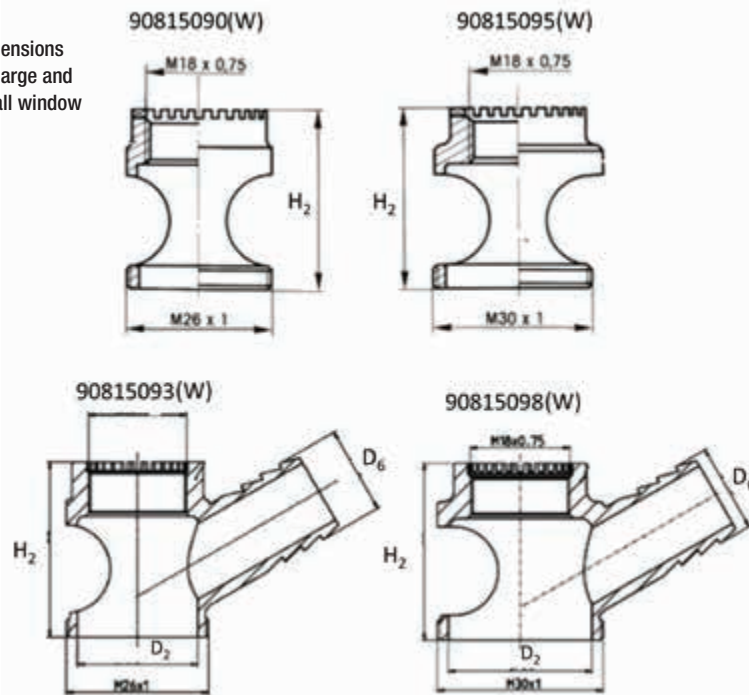
| RB 306 - LARGE | | MICROSTOP CAGE ASSEMBLY CODE: LARGE WINDOW | | | | | | | | |
|---|-----------|--|--------------|-----------|-----------|-----------|-----------|-----------|-----------|-----------|
| | | RC-10025010W | RC-10025015W | 10025105W | 10025110W | 10025001W | 10025016W | 10025111W | 10025116W | 10025117W |
| Basic Drill Cage | | ● | ● | ● | ● | ● | ● | ● | ● | ● |
| Threaded Mounting Base Large Window | 90815090W | ● | ● | | | | | | | |
| Threaded Mounting Base Large Window w/ Vacuum | 90815093W | | | | | ● | ● | | | |
| Threaded Mounting Base Large Window | 90815095W | | | ● | ● | | | | | |
| Threaded Mounting Base Large Window w/ Vacuum | 90815098W | | | | | | | ● | ● | ● |
| Hard Chrome Steel Nose | 90825050 | ● | | | | ● | | | | |
| Nylon Nose Piece | 90825055 | | ● | | | | ● | | | |
| Hard Chrome Steel Nose | 90825080 | | | ● | | | | | | ● |
| Nylon Nose Piece | 90825085 | | | | ● | | | ● | | |
| Rotary Nose Piece | 90825090 | | | | | | | | ● | |



| MICROSTOP CAGE | | | | | | | | | |
|----------------|--------|----|------|------|------|------|------|------|--------|
| | T | | D1 | D2 | H1 | | H2 | | Stroke |
| | | | | | Min | Max | Min | Max | |
| RB 306 | M6 x 1 | mm | 6 | 28 | 19 | 26 | 91 | 98 | 7.5 |
| | | in | 0.24 | 1.10 | 0.75 | 1.02 | 3.58 | 3.86 | 0.30 |

| MOUNTING BASE | | | | | | | | |
|---------------|----|----|------|----|----|------|----|------|
| | | D1 | D2 | L1 | L2 | H2 | R1 | D6 |
| 90815090(W) | mm | NA | NA | NA | NA | 32 | NA | NA |
| | in | NA | NA | NA | NA | 1.26 | NA | NA |
| 90815095(W) | mm | NA | NA | NA | NA | 32 | NA | NA |
| | in | NA | NA | NA | NA | 1.26 | NA | NA |
| 90815093(W) | mm | NA | 22 | NA | NA | 32 | NA | 16 |
| | in | NA | 0.87 | NA | NA | 1.26 | NA | 0.63 |
| 90815098(W) | mm | NA | 26 | NA | NA | 32 | NA | 16 |
| | in | NA | 1.02 | NA | NA | 1.26 | NA | 0.63 |

Dimensions for large and small window



| NOSE PIECE | | | | | |
|------------|----|------|------|------|----|
| | | D3 | D4 | H3 | D7 |
| 90825050 | mm | 32 | 22 | 3 | NA |
| 90825055 | in | 1.26 | 0.87 | 0.12 | NA |
| 90825080 | mm | 36 | 26 | 3 | NA |
| 90825085 | in | 1.42 | 1.02 | 0.12 | NA |

| RB 306 - SMALL | | MICROSTOP CAGE ASSEMBLY CODE: SMALL WINDOW | | | | | | | | |
|----------------------------------|----------|--|-------------|----------|----------|----------|----------|----------|----------|----------|
| | | RC-10025010 | RC-10025015 | 10025105 | 10025110 | 10025001 | 10025016 | 10025111 | 10025116 | 10025117 |
| Basic Drill Cage | | ● | ● | ● | ● | ● | ● | ● | ● | ● |
| Threaded Mounting Base | 90815090 | ● | ● | | | | | | | |
| Threaded Mounting Base w/ Vacuum | 90815093 | | | | | ● | ● | | | |
| Threaded Mounting Base | 90815095 | | | ● | ● | | | | | |
| Threaded Mounting Base w/ Vacuum | 90815098 | | | | | | | ● | ● | ● |
| Hard Chrome Steel Nose | 90825050 | ● | | | | ● | | | | |
| Nylon Nose Piece | 90825055 | | ● | | | | ● | | | |
| Hard Chrome Steel Nose | 90825080 | | | ● | | | | | | ● |
| Nylon Nose Piece | 90825085 | | | | ● | | | ● | | |
| Rotary Nose Piece | 90825090 | | | | | | | | ● | |