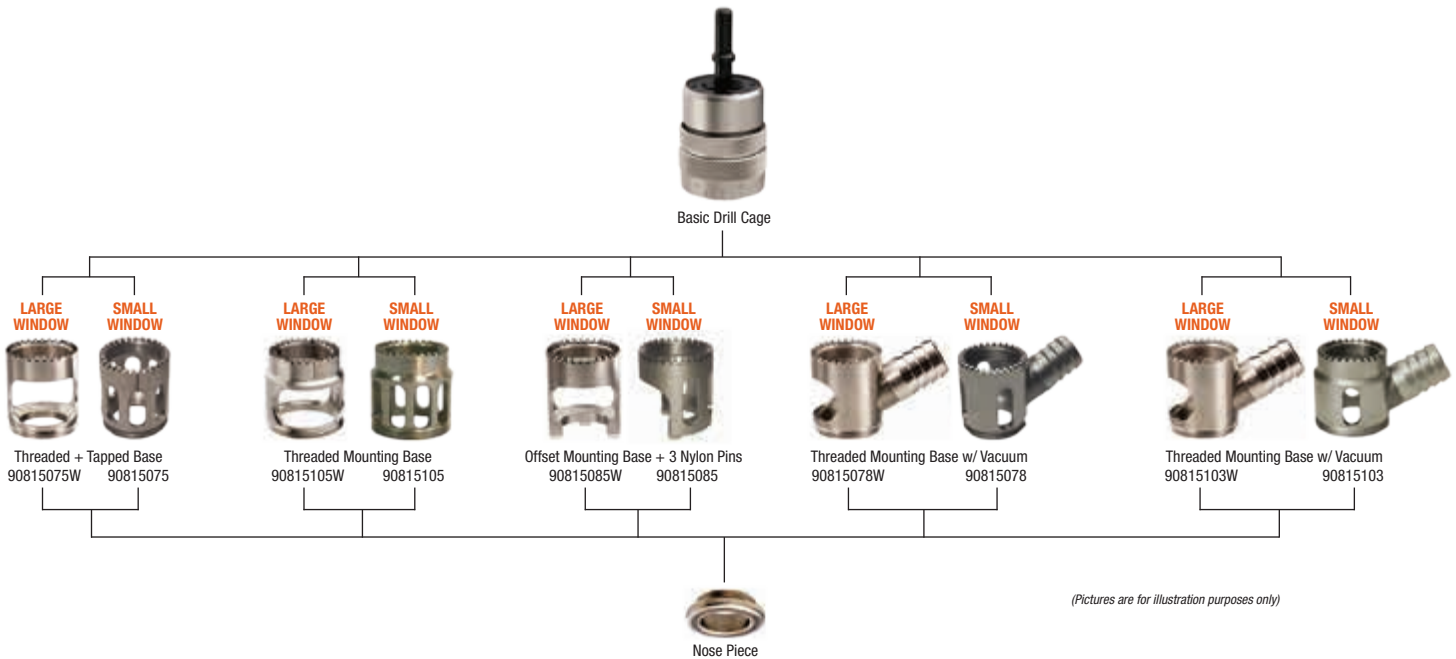


ADVANTAGES

- Different mounting bases available.
- Reduced dimensions for tight access areas.
- For special composites → mounting base with vacuum.

PRECISION MANUFACTURING

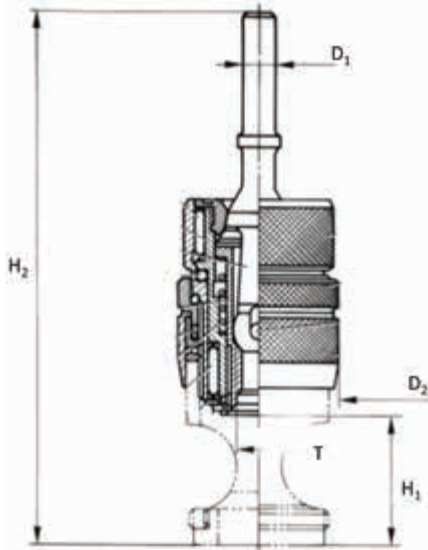
- High precision microstop cage, body in heat-treated chrome steel, fully ground throughout. This ball-mounted microstop cage includes two needle bearings for best utilization.
- When using the RB 307, any misalignment of the microstop cage is corrected by the unique ball-pivoting spindle. This assembly ensures perpendicularity throughout the operation at all time.
- Centering cone of the cutter (120°) for perfect concentricity.
- Microstop depth adjustment (1 scale division = 0.001 in).
- Microstop depth setting is held securely in place by locknut with seal. This patented feature allows an easy loosening of the locknut without damage to the drill cage.



RB 307 - LARGE		MICROSTOP CAGE ASSEMBLY CODE: LARGE WINDOW												
		10020010W	10020015W	10020020W	10020105W	10020110W	10020115W	10020200W	10020016W	10020001W	10020021W	10020106W	10020111W	10020116W
RBI 307 - LARGE		10020060W	10020065W	10020070W	10020155W	10020160W	10020165W	10020250W						10020166W
Basic Drill Cage		●	●	●	●	●	●	●	●	●	●	●	●	●
Threaded + tapped base Large Window	90815075W	●	●	●										
Threaded Mounting Base Large Window w/ Vacuum	90815078W								●	●	●			
Offset Mounting Base Large Window + 3 nylon pins	90815085W							●						
Threaded Mounting Base Large Window w/ Vacuum	90815103W											●	●	●
Threaded Mounting Base Large Window	90815105W				●	●	●							
Nose Piece - Rotary Assembly	90825210	●								●				
Hard Chrome Steel Nose	90825015		●						●					
Nylon Nose Piece	90825020			●							●			
Celeron Rotary Nose	90825205				●							●		
Hard Chrome Steel Nose	90825080					●							●	
Nylon Nose Piece	90825085						●							●

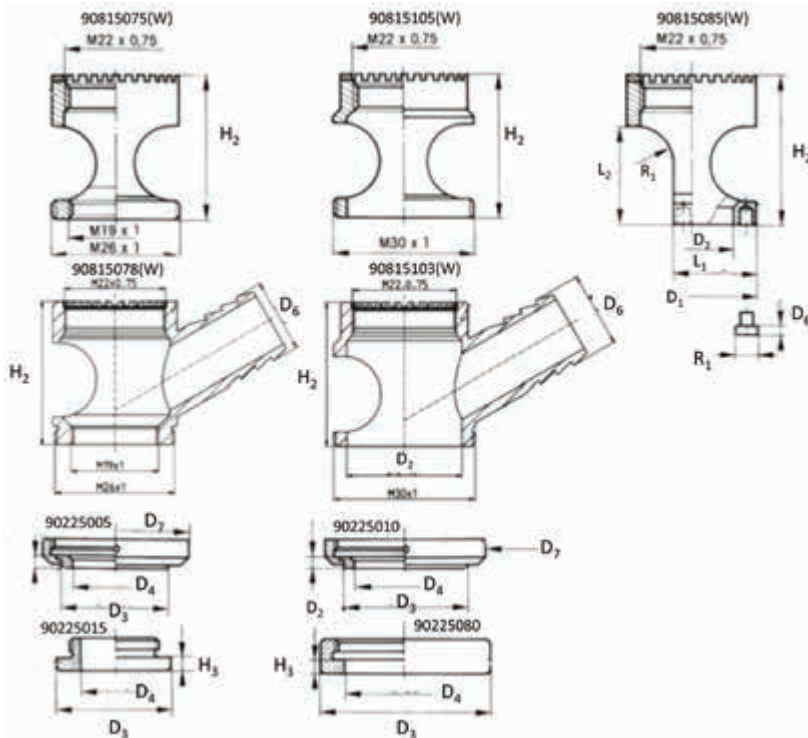
Ball-Type Microstop Cages for Hand Drilling Tools

RB 307 | RBI 307 - Small Window



MICROSTOP CAGE									
	T		D1	D2	H1		H2		Stroke
					Min	Max	Min	Max	
RB 307	M8 x 1	mm	6	29	19	24	88	92	7.5
RBI 307	1/4 in - 28	in	0.24	1.14	0.75	0.94	3.46	3.62	0.30

MOUNTING BASE								
		D1	D2	L1	L2	H2	R1	D6
90815075(W)	mm	NA	NA	NA	NA	31	NA	NA
	in	NA	NA	NA	NA	1.22	NA	NA
90815105(W)	mm	NA	NA	NA	NA	31	NA	NA
	in	NA	NA	NA	NA	1.22	NA	NA
90815085(W)	mm	27	18	17.5	21	32	5	3
	in	1.06	0.71	0.69	0.83	1.26	0.20	0.12
90815078(W)	mm	NA	NA	NA	NA	31	NA	16
	in	NA	NA	NA	NA	1.22	NA	0.63
90815103(W)	mm	NA	24.5	NA	NA	30.5	NA	16
	in	NA	0.96	NA	NA	1.20	NA	0.63



Dimensions for large and small window

NOSE PIECE					
		D3	D4	H3	D7
90225005	mm	21.5	17	3	29
	in	0.85	0.67	0.12	1.14
90225010	mm	26	23	3	34
	in	1.02	0.91	0.12	1.34
90225015	mm	24	15	3	NA
	in	0.94	0.59	0.12	NA
90225080	mm	36	26	3	NA
	in	1.42	1.02	0.12	NA

RB 307 - SMALL		MICROSTOP CAGE ASSEMBLY CODE: SMALL WINDOW												
		10020010	10020015	10020020PT	10020105	10020110	10020115	10020200	10020016	10020001	10020021	10020106	10020111	10020116
RBI 307 - SMALL		10020060	10020065	10020070	10020155	10020160	10020165	10020250						10020166
Basic Drill Cage		●	●	●	●	●	●	●	●	●	●	●	●	●
Threaded + tapped base	90815075	●	●	●										
Threaded Mounting Base w/ Vacuum	90815078								●	●	●			
Offset Mounting Base + 3 nylon pins	90815085							●						
Threaded Mounting Base w/ Vacuum	90815103											●	●	●
Threaded Mounting Base	90815105				●	●	●							
Celeron Rotary Nose	90825210	●								●				
Hard Chrome Steel Nose	90825015		●						●					
Nylon Nose Piece	90825020			●						●				
Celeron Rotary Nose	90825205				●									
Hard Chrome Steel Nose	90825080					●						●		
Nylon Nose Piece	90825085						●							●