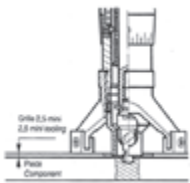


### PRECISION MANUFACTURING

- Detachable spindle adapter provides alternative methods for use:
  - In combination with 3 jaw chuck.
  - Mounting direct onto machine spindle. This method provides increased level of concentricity, while reducing the length and weight of the drill/tool assembly. This results in better performance, improved machining and less fatigue on the operator.
- Cemented, hardened, and ground chrome-nickel steel spindle mounted on 3-needle-bearings and a thrust bearing.
- Microstop depth adjustment (1 scale division = 0.001 in).
- Microstop depth setting is held securely in place by locknut with seal. This patented feature allows an easy loosening of the locknut without damage to the drill cage.

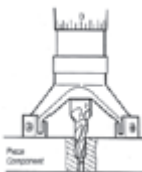


(Pictures are for illustration purposes only)



#### DRILLING + COUNTERSINKING APPLICATION

- The mounting base is commonly used with strip templates. The tripod ensures maximum stability. Can be used with Cutter type RB 018 - see page 88.



#### REAMING + COUNTERSINKING APPLICATION

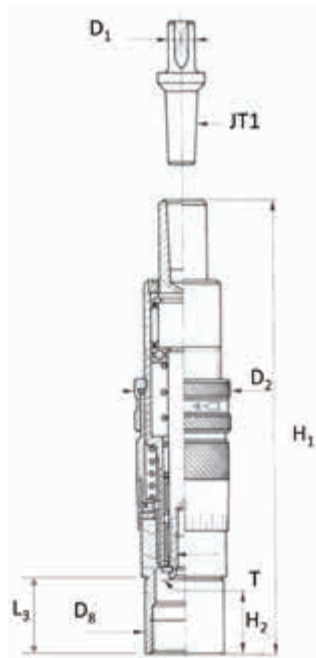
- In this example, the tripod is used with cutter RB 022 - see page 91. (Positioning of the cutter with pilot into the pilot hole).

RB 356 HP 38 - LARGE		MICROSTOP CAGE ASSEMBLY CODE: LARGE WINDOW*					
		10045000PT	10045200W	10045210W	10045405W	10045505W	10045600W
RB 356 HPI 38 - LARGE		10045050	10045250W	10045260W	10045455W	10045555W	10045650W
RB 356 HPI 38 (Thread 3/8 - 24F)		10045700PT	10045720W	10045730W	10045740W	10045750W	10045760W
Basic Drill Cage + Adapter	RB 356 HP 38 RB 356 HPI 38	●	●	●	●	●	●
Mounting Base Flat Bearing Large Window	90815125W		●	●			
Threaded Mounting Base Large Window	90815135W				●		
Tripod + 3 nylon studs	90815165W			●		●	
Mounting Base Flat Bearing Large Window	90815070W						●
Nylon Nose Piece	90825175				●		

\*Add CJ or CJW to the reference for Jacobs cone adapter.

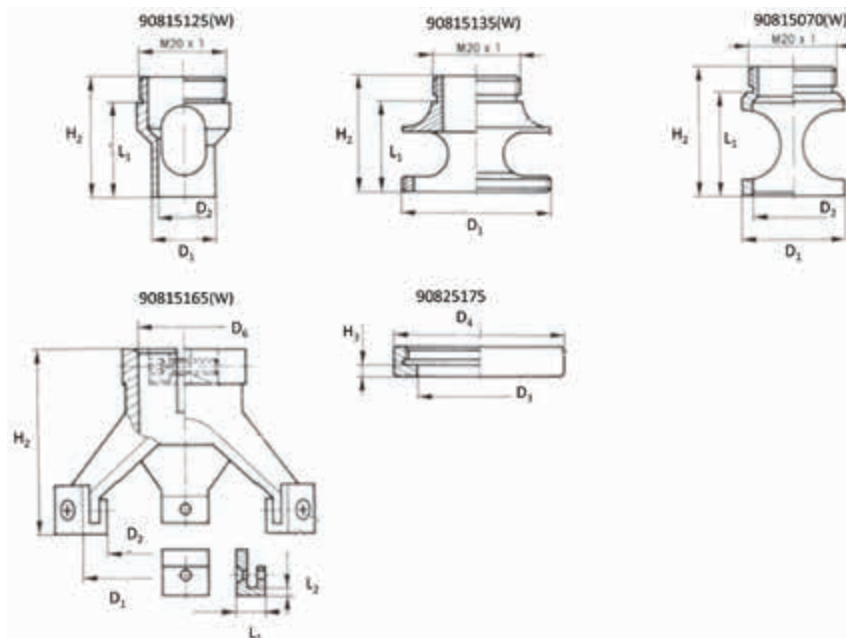
# Microstop Cages for Hand Drilling Tools

RB 356 HP 38 | RBI 356 HPI 38 - Small Window



MICROSTOP CAGE											
	T		D1	D2	H1		H2		Stroke	D8	L3
					Min	Max	Min	Max			
<b>RB 356 HP 38</b>	M6 x 1	mm	7	27	22	37	165	183	38	22	22
<b>RB 356 HPI 28</b>	1/4 in - 28	in	0.28	1.06	0.87	1.46	6.50	7.20	1.50	0.87	0.87

MOUNTING BASE								
		D1	D2	L1	L2	H2	R1	D6
<b>90815125(W)</b>	mm	14.5	12.5	22	NA	26	NA	NA
	in	0.57	0.49	0.87	NA	1.02	NA	NA
<b>90815135(W)</b>	mm	NA	NA	21	NA	27	NA	NA
	in	NA	NA	0.83	NA	1.06	NA	NA
<b>90815070(W)</b>	mm	24	19	24	NA	30	NA	NA
	in	0.94	0.75	0.94	NA	1.18	NA	NA
<b>90815165(W)</b>	mm	64	51	6.5	2	42	NA	22
	in	2.52	2.01	0.26	NA	1.65	NA	0.87



Dimensions for large and small window

NOSE PIECE					
		D3	D4	H3	D7
<b>90825175</b>	mm	29	40	3	NA
	in	1.14	1.57	0.12	NA

<b>RB 356 HP 38 - SMALL</b>		MICROSTOP CAGE ASSEMBLY CODE: SMALL WINDOW*					
		10045000PT	10045200PT	10045210	10045405	10045505	10045600PT
<b>RB 356 HPI 38 - SMALL</b>		10045050	10045250	10045260	10045455	10045555	10045650
<b>RB 356 HPI 38 (Thread 3/8 - 24F)</b>		10045700PT	10045720	10045730	10045740	10045750	10045760
Basic Drill Cage + Adapter	RB 356 HP 38 RB 356 HPI 38	●	●	●	●	●	●
Mounting Base Flat Bearing	90815125		●	●			
Threaded Mounting Base	90815135				●		
Tripod + 3 Nylon studs	90815165			●		●	
Mounting Base Flat Bearing	90815070						●
Nylon Nose Piece	90825175				●		

\*Add CJ or CJW to the reference for Jacobs cone adapter.