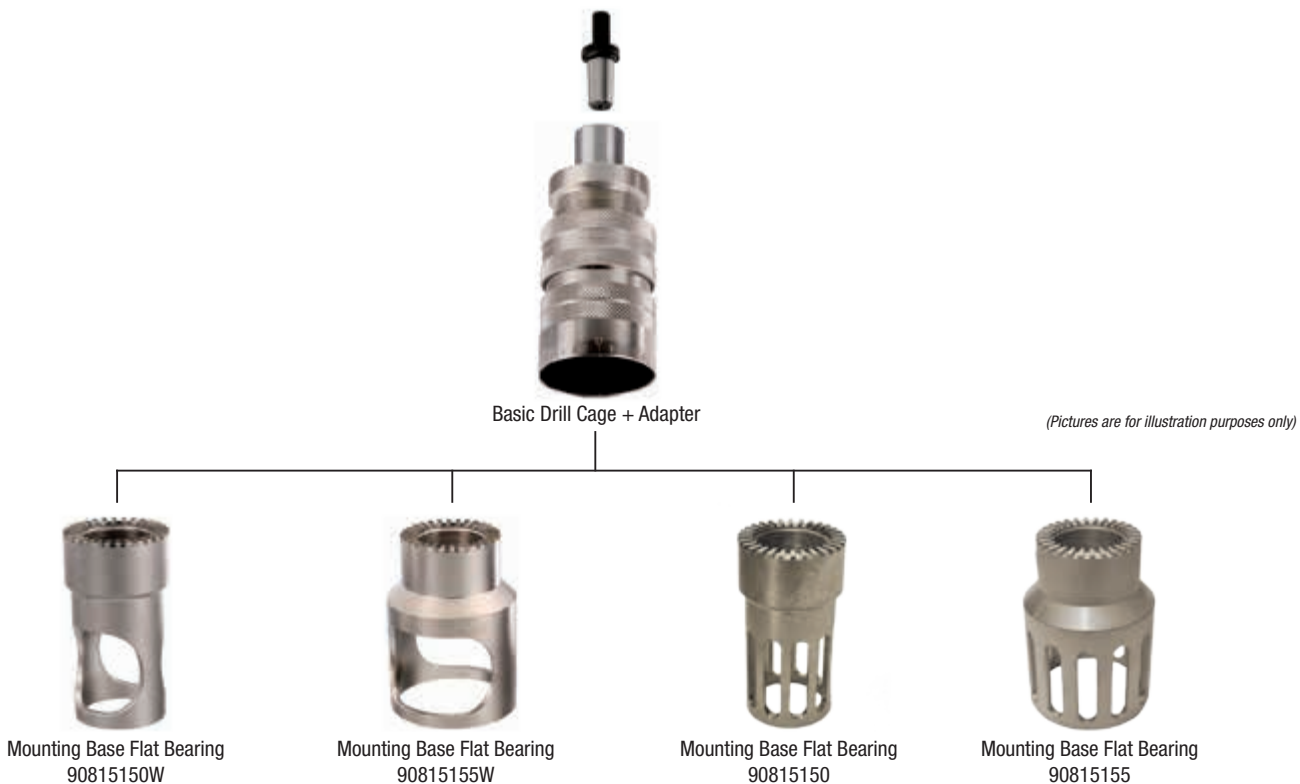


ADVANTAGES

- This drill cage has been designed for use with cutter of 7/8 in to 1 1/2 in diameter.
- Different mounting bases available.
- Reduced dimensions for tight access areas.

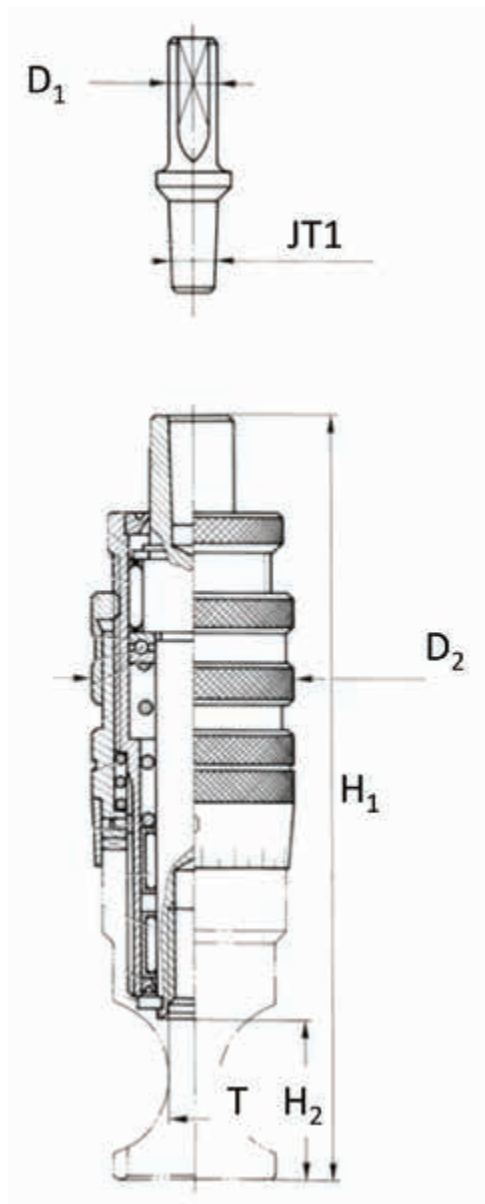
PRECISION MANUFACTURING

- Detachable spindle adapter provides alternative methods for use:
 - In combination with 3 jaw chuck.
 - Mounting direct onto machine spindle. This method provides increased level of concentricity, while reducing the length and weight of the drill/tool assembly. This results in better performance, improved machining, and less fatigue on the operator.
- Cemented, hardened, and ground chrome-nickel steel spindle mounted on 3-needle bearings and a thrust bearing.
- Microstop depth adjustment (1 scale division = 0.001 in).
- Microstop depth setting is held securely in place by locknut with seal. This patented feature allows an easy loosening of the locknut without damage to the drill cage.



RB 406		MICROSTOP CAGE ASSEMBLY CODE*			
		10030010W	10030010PT	100300105W	100300105
Basic Drill Cage + Adapter		●	●	●	●
Mounting Base Flat Bearing Large Window	90815150W	●			
Mounting Base Flat Bearing	90815150		●		
Mounting Base Flat Bearing Large Window	90815155W			●	
Mounting Base Flat Bearing	90815155				●

*Add CJ or CJW to the reference for Jacobs cone adapter.



MICROSTOP CAGE									
				H1		H2		Stroke	
	T		D1	D2	Min	Max	Min		Max
RB406	M10 x 1	mm	10	36	26	53	136	163	14
		in	0.39	1.42	1.02	2.09	5.35	6.42	0.55

MOUNTING BASE								
		D1	D2	L1	L2	H2	R1	D6
90815150(W)	mm	30	25	NA	NA	63	NA	NA
	in	1.18	0.98	NA	NA	2.48	NA	NA
90815155(W)	mm	45	40	NA	NA	63	NA	NA
	in	1.77	1.57	NA	NA	2.48	NA	NA

Dimensions for
large and small window

